

SMT Test Clips:PA-619

1. Specification

This is the specification of the PA-619 SMT test clip.

2. Dimensions & Materials

The dimensions and materials can be found in addendum pages.

3. Features

- A. The hook is made of high elastic stainless steel (SUS304), well-enclosed in a high-precision brass tube, resulting very low resistance, which is much better than products with non-conductive plastic tubes.
- B. The connecting pins are made of Beryllium Copper (BeCu), for its hardness and high conductivity. The pin has a length of 6mm, ensuring a good connection.
- C. PA-619's double-pin design improves functionality and durability.

4. Specifications

- A. Contact resistance: less than $35\text{m}\Omega$ (at 1A current)
- B. Highest voltage: 40VDC
- C. Highest current: 1A
- D. Pusher spring force: 1000 ± 200 gmf
- E. Durability: after 10,000 times of presses, the pusher spring maintains a force no less than 700 gmf.

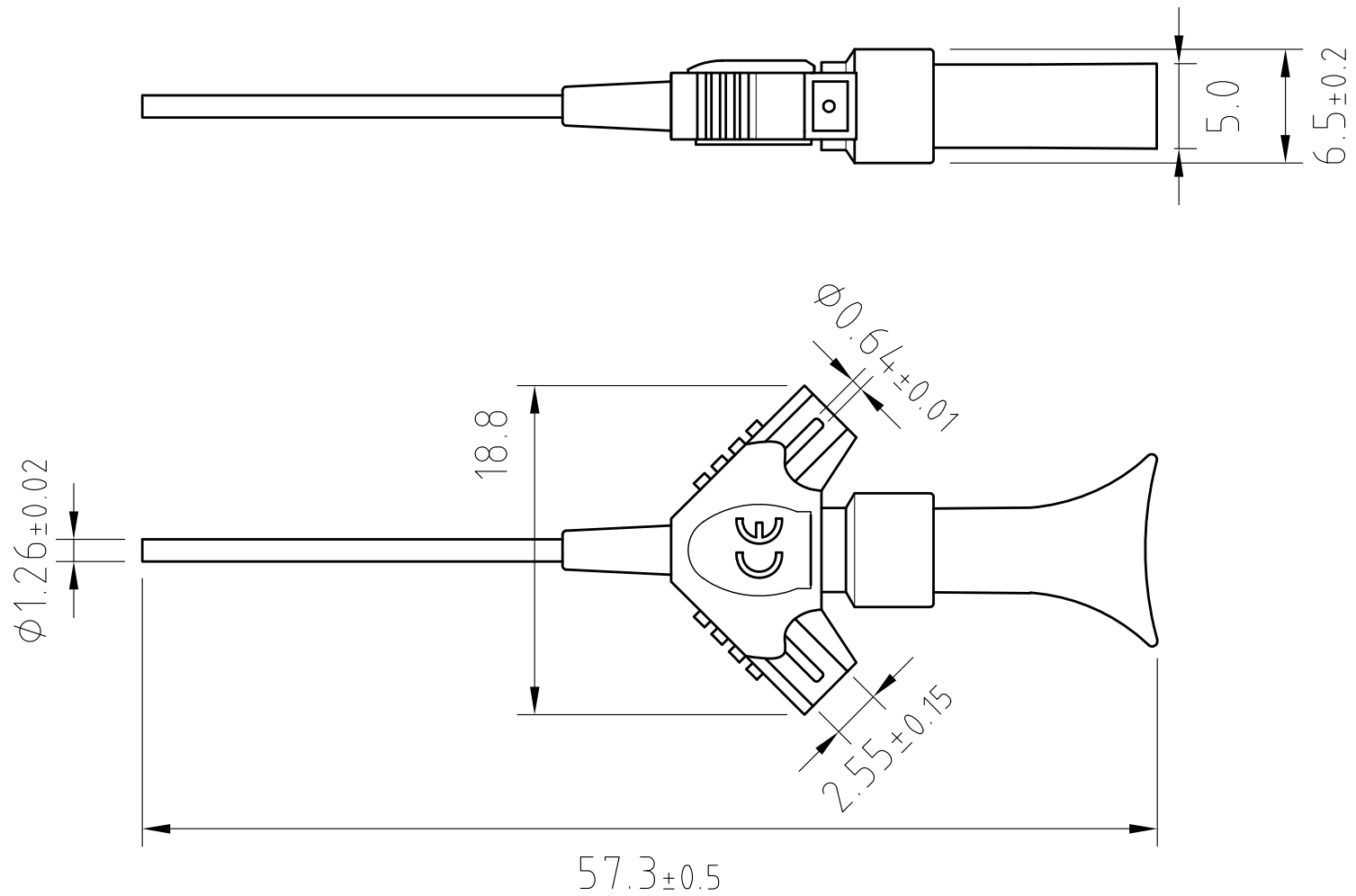
5. Environments (in use)

- A. Temperature range: -20°C to $+70^{\circ}\text{C}$
- B. Humidity: 85% RH or less (at 35°C)

6. Instruments used

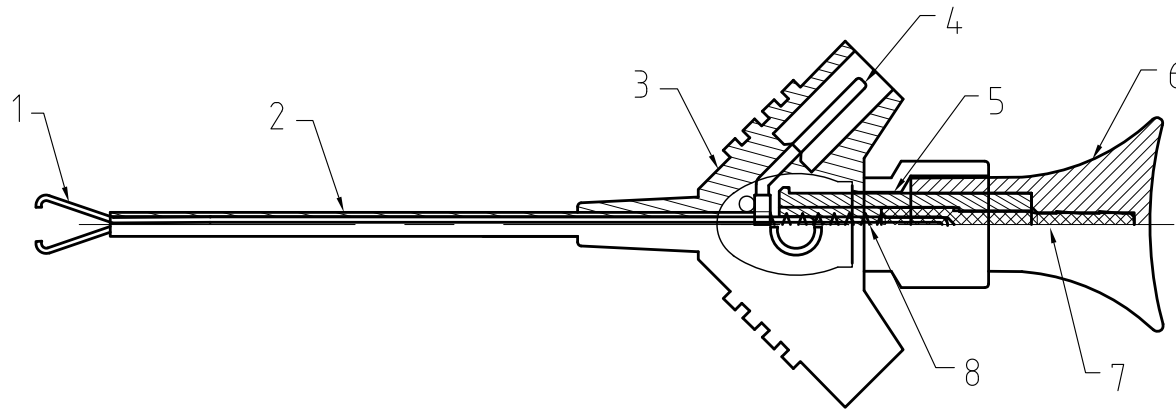
- A. Milli-Ohm meter GOM-802
- B. CNC multi-functional material auto-tester 1220S
- C. Power supply U8001A
- D. $6\frac{1}{2}$ digit digital multimeter 34410A
- E. Digital caliper CD-6"CS

DRAWN BY		DRAWING NAME	Specification		Fig	
CHECKED BY		Model No.			DATE	Jun.08.2007



Unit: m/m

				DESIGNED BY		DRAWING NAME	Dimemnsion		Sheet No	
				DRAWN BY		DRAWING No.	PA-619		Dated	Jun 08, 2007
REVISION	DESCRIPTION	APPROVAL	DATE							



Materials

- 1. Hook Stainless Steel SUS304
- 2. Tube Bronze Painted, light-grey
- 3. Frame PBT Light-grey
- 4. Pin BeCu Gold-plated
- 5. Sleeve PBT Light-grey
- 6. Pusher PBT Light-grey
- 7. Rod Brass Nickel-plated
- 8. Spring Stainless steel SUS304

				DESIGNED BY		DRAWING NAME	Materials		Sheet No	
				DRAWN BY		DRAWING No.	PA-619		Dated	Jun 08, 2007
REVISION	DESCRIPTION	APPROVAL	DATE							